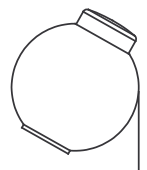
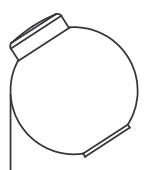
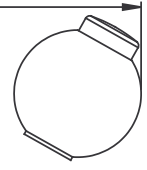
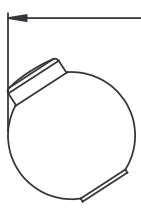


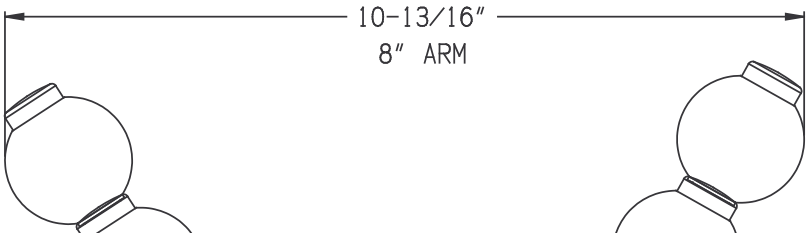
REVISIONS		
REV	DESCRIPTION	DATE



21-5/32"
18" ARM



14-31/32"
12" ARM



10-13/16"
8" ARM

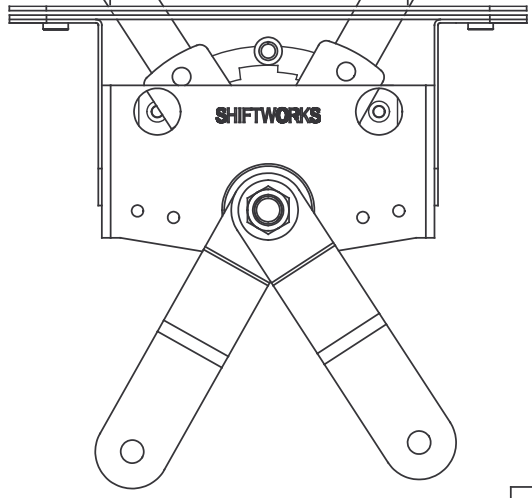
PARK

LOW 1

8-15/16"
6" ARM

4-1/32"

TRAVEL AT TOP OF
INDICATOR PLATE



SHIFTER ARM TRAVEL FOR
SW280-006 UNIVERSAL
4 SPEED SHIFTER

<small>ALL DIMENSIONS UNLESS OTHERWISE NOTED IN NOTES: DIMENSIONS ARE IN INCHES TOLERANCES ARE: FRACTIONS DECIMALS ± .010 ± .005 ± .005 ± .002 ± .005 ± .001</small>	SHIFTWORKS® 320 N. WASHINGTON ST., ROCHESTER, N.Y. 14625	
	SHIFTER ARM TRAVEL	
PART NO. SW280-006 4 SPEED STANDARD SHIFTER	RELEASE DATE 06-04-2009	PAGE