



ROD LINKAGE

Parts list

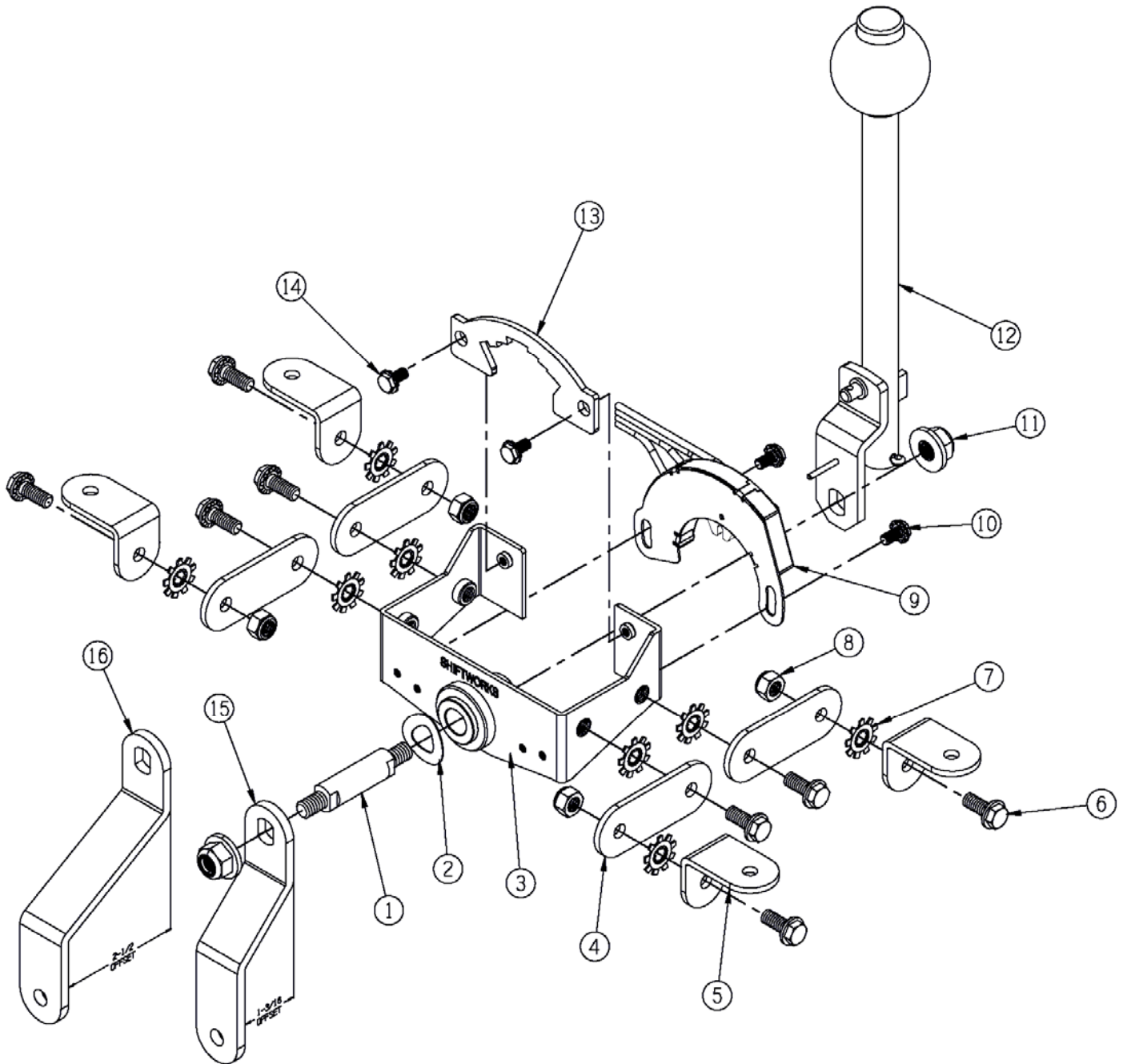
See page 2 for exploded view
See page 3 for typical installation

ITEM #	QTY.	DESCRIPTION	REV LEVEL
1	1	SW280-101 PIVOT SHAFT	B
2	1	CURVED SPRING WASHER	N/A
3	1	SW280-109 HOUSING ASSEMBLY	B
4	4	SW280-111 FLAT BRACKET	A
5	4	SW280-110 "L" BRACKET	A
6	8	SEMS® 1/4-20 X 5/8" HEX WASHER HEAD WITH EXTERNAL TOOTH LOCK WASHER	N/A
7	8	1/4" STAR WASHER	N/A
8	4	1/4"-20 NYLOCK® LOCK NUT	N/A
9	1	NEUTRAL SAFETY SWITCH	N/A
10	2	SEMS® 10-32 X 3/8" HEX WASHER HEAD WITH EXTERNAL TOOTH LOCK WASHER	N/A
11	2	5/16"-18 NYLOCK® LOCK NUT	N/A
12	1	SW280-105-08 8" SHIFTER ARM ASSEMBLY	D
	1	SW280-105-12 12" SHIFTER ARM ASSEMBLY	D
	1	SW280-105-18 18" SHIFTER ARM ASSEMBLY	D
13	1	SW280-146 SHIFTER PLATE	B
14	2	SEMS® 10-32 X 3/8" HEX WASHER HEAD WITH EXTERNAL TOOTH LOCK WASHER	N/A
15	1	SW280-125 SHIFT ARM 1 3/16" OFFSET	B
16	1	SW280-126 SHIFT ARM 2 1/2" OFFSET (NOT SHOWN)	N/A
20	MKF-5S	5/16 X 24 SPHERICAL ROD END W/STUD RH	
21	MKFL-5S	5/16 X 24 SPHERICAL ROD END W/STUD LH	
22	TR3125-18	18 INCH 5/16 ROD	
23	TR3125-6	6 INCH 5/16 ROD	
24	HBT5-3.00	TURNBUCKLE 3 INCH	
25	S631	WASHERS	
26	LOCK NUT	5/16 X 24 NYLOCK® NUT	
27	JAM NUT	5/16 X 24 JAM NUT RH	
28	JAM NUT	5/16 X 24 JAM NUT LH	
29	FLANGE NUT	3/8 X 16 LOCKING SERRATED FLANGE NUT	
30	SW292-000	TRANS SELECT LEVER	B

SHIFTWORKS®

ROD LINKAGE

EXPLODED VIEW





ROD LINKAGE

TYPICAL INSTALLATION

